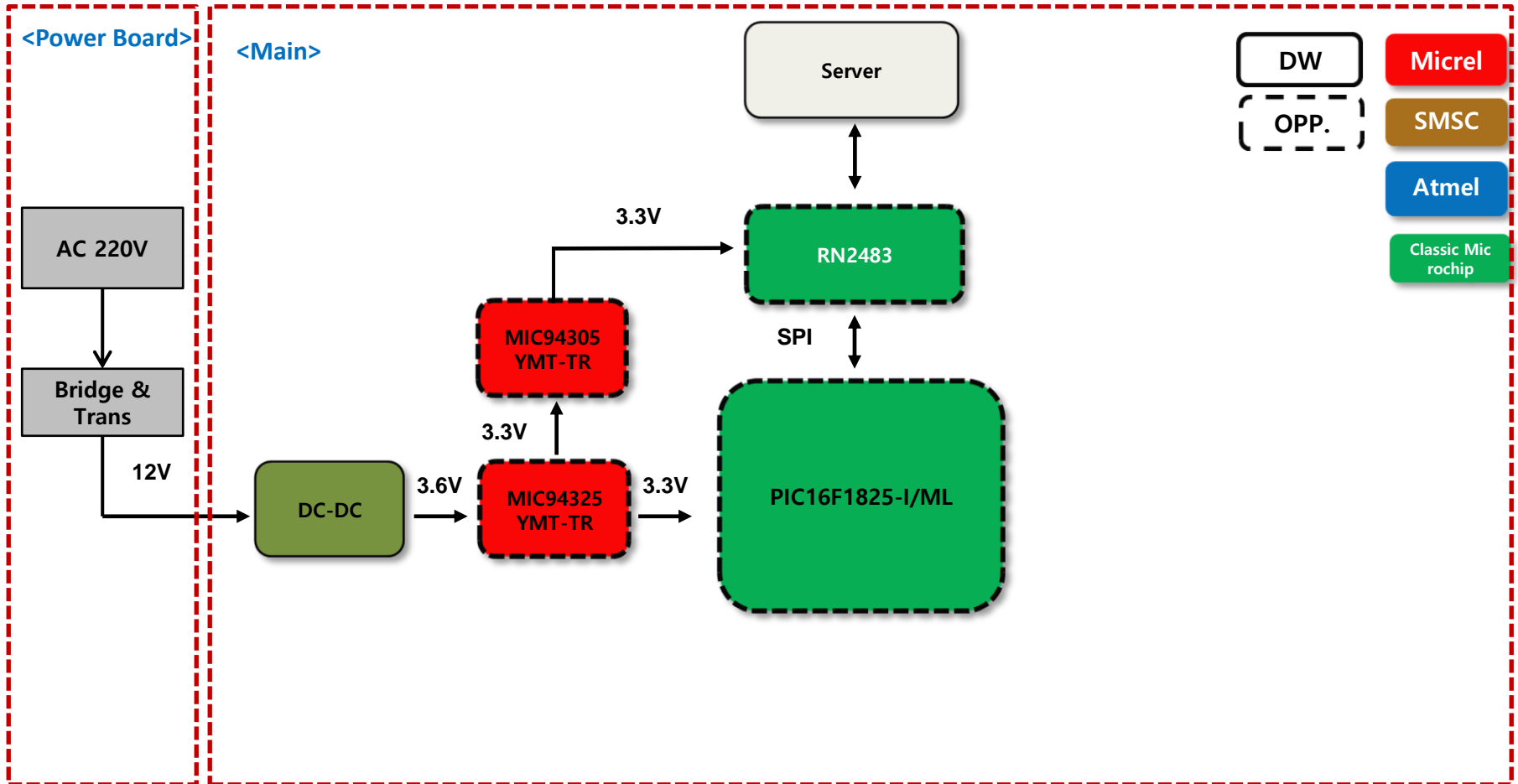
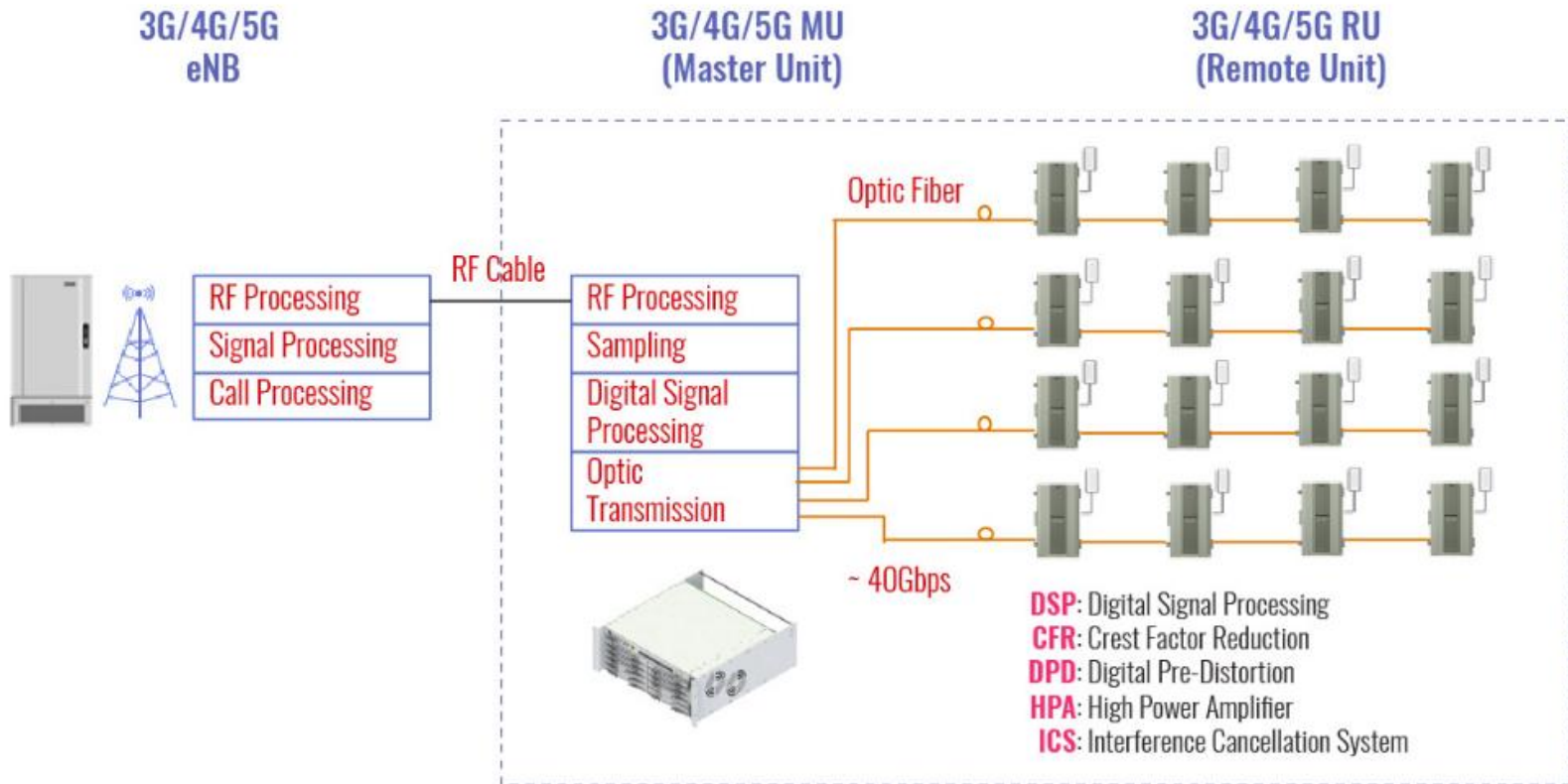


IoT Modem – Block Diagram



Digital DAS System



- ❑ Microchip MCU, PIC16F1825-I/ML
 - Enhanced Mid-range Core with 49 Instruction, 16 Stack Levels
 - Max CPU Speed(MHz) : 32
 - 1024-Byte SRAM
 - Integrated Capacitive mTouch Sensing Module
 - Data Signal Modulator for generation of custom bit streams
 - CVREF can be used as 5-bit DAC

- ❑ Microchip LDO, MIC94325YMT-TR
 - 1.8V to 3.6V input voltage range
 - Active noise rejection over a wide frequency band >50dB from 10Hz to 5MHz at 500mA load
 - Rated to 500mA output current
 - Fixed and adjustable output voltages

- ❑ Microchip LDO, MIC94305YMT-TR
 - 1.8V to 3.6V input voltage range
 - Active noise rejection over a wide frequency band >60dB from 40kHz to 5 MHz
 - Rated to 500mA output current
 - Fixed and adjustable output voltages

- ❑ Microchip LoRa Module, RN2483
 - On-board LoRaWAN™ Class A protocol stack
 - ASCII command interface over UART
 - Compact form factor 17.8 x 26.7 x 3 mm
 - Castellated SMT pads for easy and reliable PCB mounting
 - Device Firmware Upgrade (DFU) over UART
 - 14 GPIO for control, status, and ADC