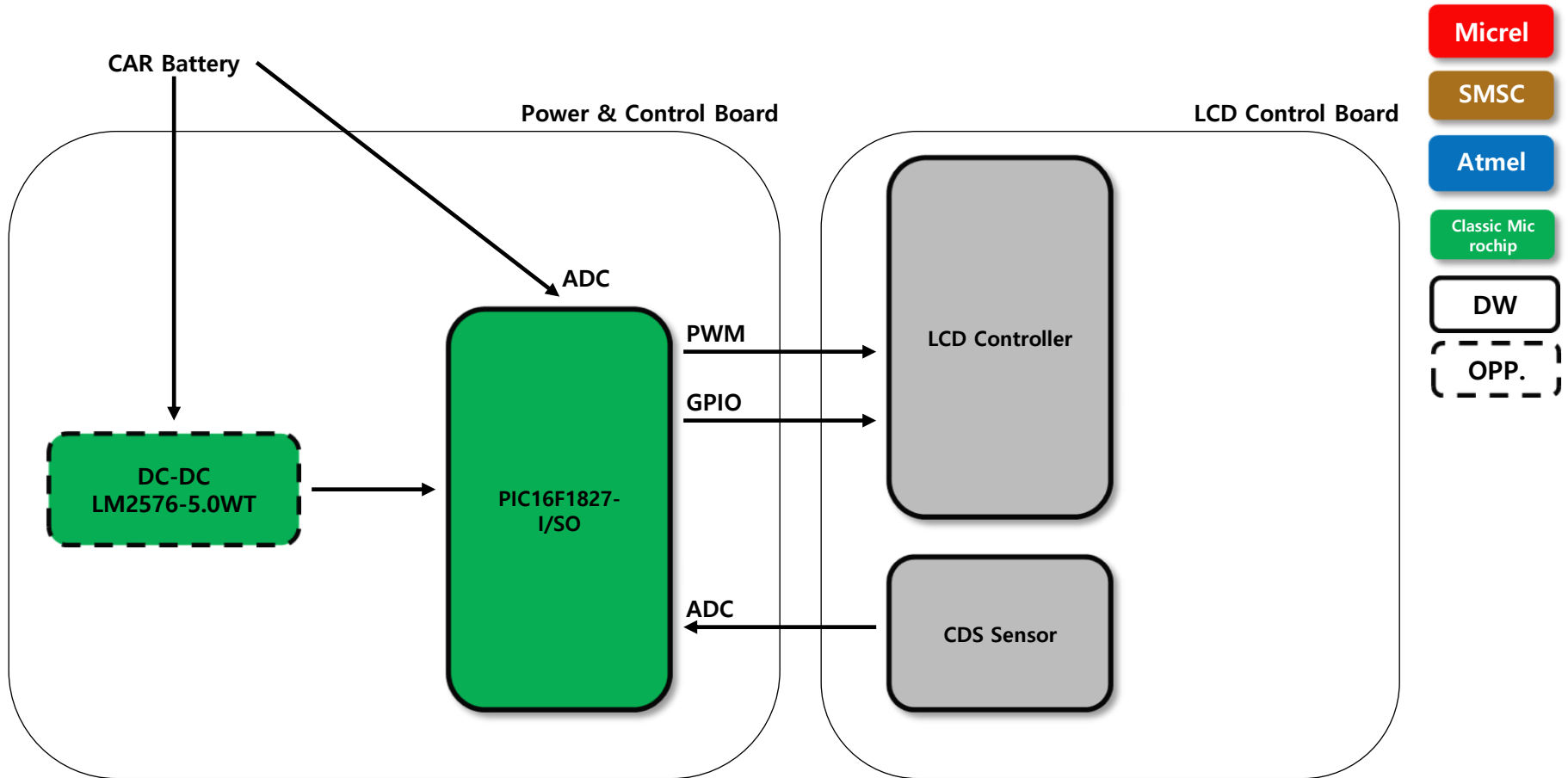


LCD Billboard- Block Diagram





<Delivery Start>



<Server>



<Advertising>

□ Microchip MCU, PIC16F1827-I/SO

- Enhanced Mid-range Core with 49 Instruction, 16 Stack Levels
- Flash Program Memory with self read/write capability
- Internal 32MHz oscillator
- Integrated Capacitive mTouch Sensing Module
- Data Signal Modulator Module
- MI2C, SPI, EUSART w/auto baud

□ Microchip Regulator, LM2576-5.0WT

- 3A Step-Down SMPS Regulator
- 3.3V, 5V, 12V, and adjustable output versions
- Voltage over specified line and load conditions:
- Fixed version: $\pm 3\%$ max. output voltage
- Adjustable version: $\pm 2\%$ max. feedback voltage
- Guaranteed 3A output current
- Wide input voltage range: 4V to 40V