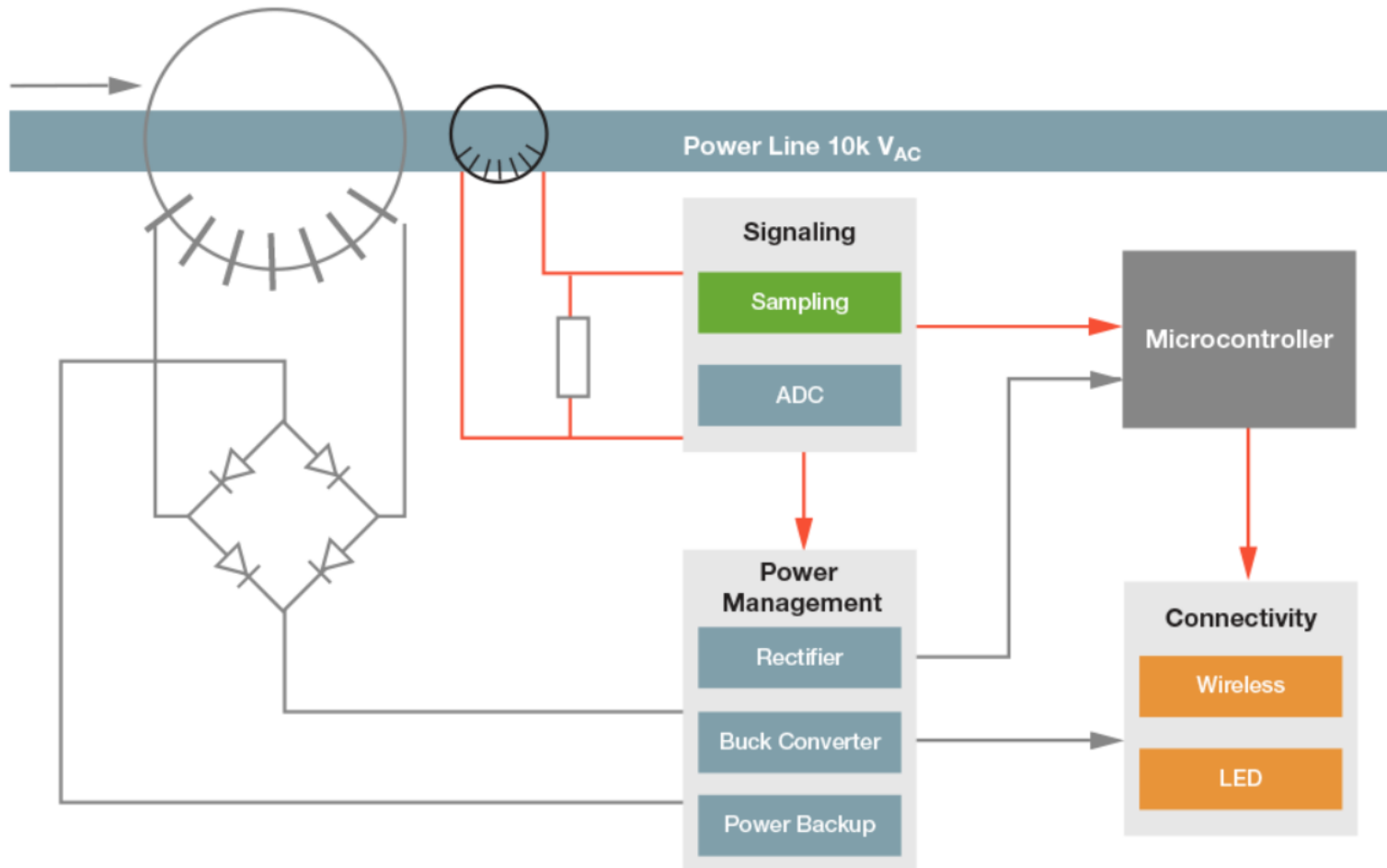


Fault Indicator- Block Diagram



Fault Indicator- Parts

SIGNALING - SAMPLING

RESISTOR

Product Name	Status	Description	Features	Package	Q-Level
MC-Series		Professional Thin Film Chip Resistors	10hm...4.99M0hm	0402...1206	

SIGNALING - ADC

INDUCTOR

Product Name	Status	Description	Features	Package	Q-Level
IHLD-3232HB-5A		Low Profile, High Current Dual Inductors	5uH...33uH, 2.4A...6A	3232	

MLCC

Product Name	Status	Description	Features	Package	Q-Level
VJ...31X RoHS		Surface Mount Multilayer Ceramic Chip Capacitors	120pF...1uF; 16V...1000V	0402 to 1812	

MOSFET

Product Name	Status	Description	Features	Package	Q-Level
SiS488DN		N-Channel 40V (D-S) MOSFET	N-Channel 40V (D-S) MOSFET	Power PAK 1212-8	

SCHOTTKY DIODE

Product Name	Status	Description	Features	Package	Q-Level
SS2P4		High Current Density Schottky Barrier Rectifier Surface Mount	If=2A; Vf=0.5V; Vrrm=40V	DO-220AA (SMP)	

Fault Indicator- Parts

POWER MANAGEMENT - RECTIFIER

CAPACITOR

Product Name	Status	Description	Features	Package	Q-Level
TP3		Solid Tantalum Surface Mount Chip Capacitors	0.1uF...470uF; 4V...50V	A...E	

CURRENT TRANSFORMER

Product Name	Status	Description	Features	Package	Q-Level
115849		Customized coil overhead 10kVAC line	Low weight and high output power Output 20mW minimum after 5seconds@5A 50Hz		

DIODE

Product Name	Status	Description	Features	Package	Q-Level
1N4148		Small Signal Fast Switching Diode	V _{rrm} =100V, I _f =150mA, V _f =1V	SOD-123	

POWER MANAGEMENT - BUCK CONVERTER

MICROBUCK

Product Name	Status	Description	Features	Package	Q-Level
SiC463		microBUCK® DC/DC Converter	4.5 V to 60 V Input, 2 A, 4 A, 6 A, 10 A	PowerPAK® MLP55-27L	

POWER MANAGEMENT - POWER BACKUP

CAPACITOR

Product Name	Status	Description	Features	Package	Q-Level
196HVC		Hybrid Energy Storage Capacitors	4F to 90F, 1.4V to 8.4V, 4Ws to 460Ws	STH, SMF, LFC	

Fault Indicator- Parts

CONNECTIVITY - WIRELESS

MLCC

Product Name	Status	Description	Features	Package	Q-Level
VJ...31X RoHS		Surface Mount Multilayer Ceramic Chip Capacitors	120pF...1uF; 16V...1000V	0402 to 1812	

MOSFET

Product Name	Status	Description	Features	Package	Q-Level
Si7308DN		N-Channel 60V (D-S) MOSFET	Rdson=58mOhm	Power PAK 1212-8	

RESISTOR

Product Name	Status	Description	Features	Package	Q-Level
TNPW		High Stability Thin Film Flat Chip Resistors	4.7Ohm...3MOhm	0402...1210	

SCHOTTKY DIODE

Product Name	Status	Description	Features	Package	Q-Level
SS2P4		High Current Density Schottky Barrier Rectifier Surface Mount	If=2A; Vf=0.5V; Vrrm=40V	DO-220AA (SMP)	

CONNECTIVITY - LED

LED

Product Name	Status	Description	Features	Package	Q-Level
VLMD31		Standard SMD LED PLCC-2	648nm	PLCC-2	