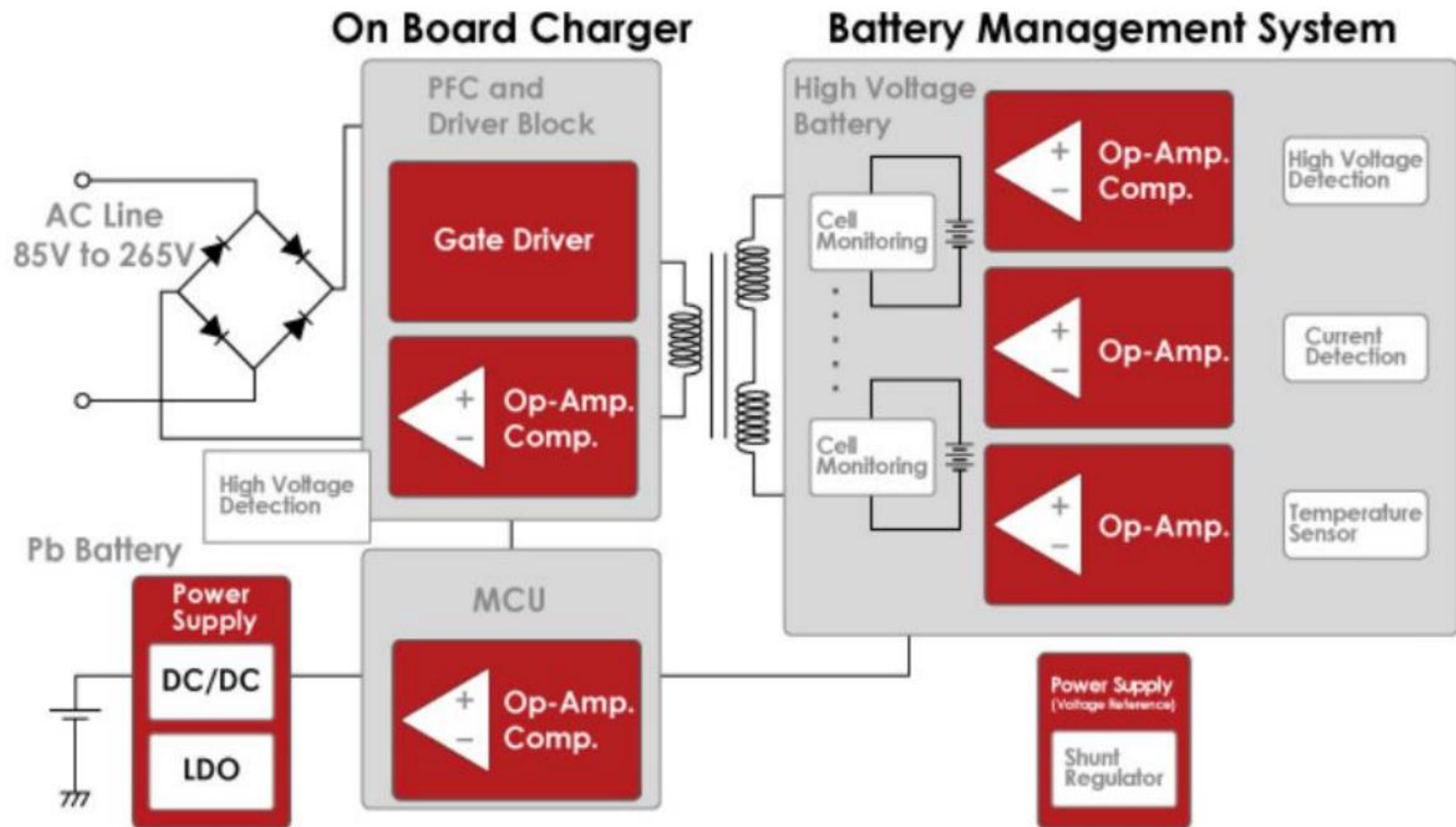


Battery Management System - Block Diagram



Battery Management System - Parts

1. OP-AMP

MCHP Parts	Specification
<u>MCP6281</u>	450 μ A, 5 MHz Rail-to-Rail Op Amp
<u>MIC7122</u>	Rail-to-Rail Dual Op Amp
<u>MCP6021/6023</u>	Rail-to-Rail Input/Output, 10 MHz Op Amps

Battery Management System - Parts

2. LDO

MCHP Parts	Specification
<u>MCP1725</u>	500 mA, Low Voltage, Low Quiescent Current LDO Regulator
<u>MCP1825</u>	500 mA, Low Voltage, Low Quiescent Current LDO Regulator

Battery Management System - Parts

3. Switching Regulator

MCHP Parts	Specification
<u>MIC28513</u>	45V 4A DC-DC converter
<u>MIC28512</u>	75V 2A DC-DC converter