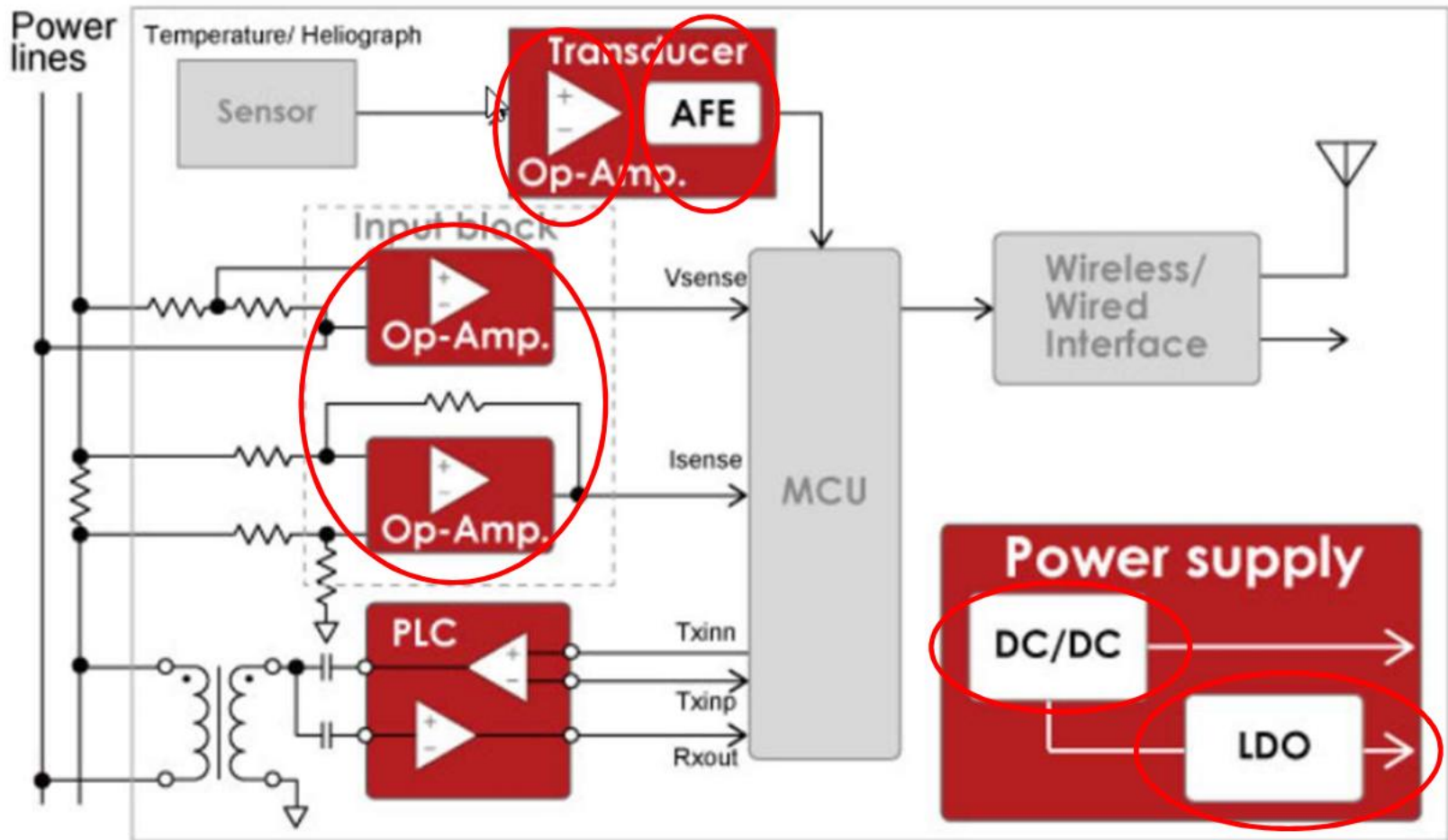


Smart Meter - Block Diagram



Smart Meter - Parts

ADC_AFE

MCHP Parts	Specification
MCP3918	24-bit $\Delta\Sigma$ ADC Up to 125 ksps PGA: up to 32 V/V

OP AMP

MCHP Parts	Specification
MCP6032	Dual GBWP: 10KHz Vos: 150uV
MCP6022	Dual GBWP: 10MHz Vos: 250uV
MCP6024	Quad GBWP: 10MHz Vos: 250uV

Smart Meter - Parts

DC/DC

MCHP Parts	Specification
MIC4684	Buck Vin : 4V to 30V Output Current : 2A
MIC2171	Boost Vin : 3.0V to 40V Switching Current : 2.5A

LDO

MCHP Parts	Specification
MIC5236	Vin : 2.3V to 30V Iout : 150mA Iq : 20uA
MIC37100	Vin : 2.25V to 6.0V Iout : 1000mA Reverse Current Protection
MIC5504	Vin : 2.5V to 5.5V Iout : 300mA Discharge Function