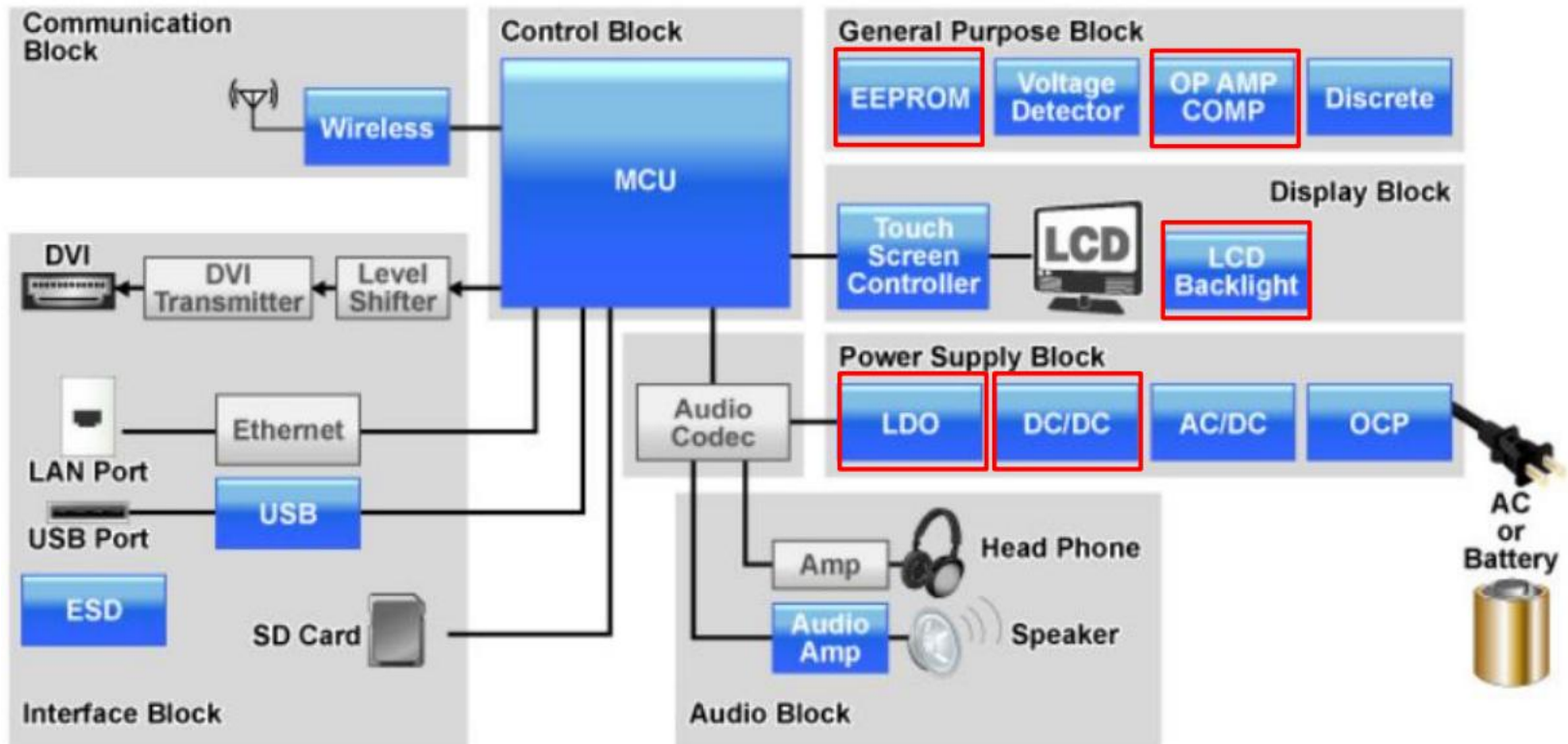


Data Management Device (For Health Care) - Block Diagram



Data Management Device (For Health Care) - Parts

Linear Regulator

MCHP parts	Vin	Iout
MIC5319	2.5 - 5.5V	500mA
MCP1700	2.3 - 6V	250mA
MIC39300	2..25 - 16V	1A
MIC2940A	2 - 26V	1.25A
MIC5239	2.3 - 30V	500mA
MCP1812	1.8 - 5.5V	300mA

Data Management Device (For Health Care) - Parts

DC-DC Converter

MCHP parts	Vin	Iout
MIC2245	2.7 – 5.5V	500mA
LX7167A	3 – 5V	2.4A
LX7176	3.0 – 5.5V	3A
MIC24045	4.5 – 19V	5A

Op Amp

MCHP parts	GBWP(KHz)	Vos Max / Iq(Max)
MCP6411	1MHz	1mV / 50uA
MCP6286	3.5MHz	1.5mV / 520uA

Data Management Device (For Health Care) - Parts

LED Driver

MCHP parts	Voltage Range	Iout
MCP1664	Up to 32V	300mA
MIC3263	6 – 40V	30mA / CH
HV9963	8 – 40V	200mA

Comparator

MCHP parts	Voltage Range	Offset Voltage
MIC6270	2 – 36V	3mV
MIC7211	2.2 – 10V	10mV

Data Management Device (For Health Care) - Parts

EEPROM

MCHP parts	Interface	Frequency
AT24C128C	I2C	1M
24LC128	I2C	400k
25LC256	SPI	10M
AT25256B	SPI	20M