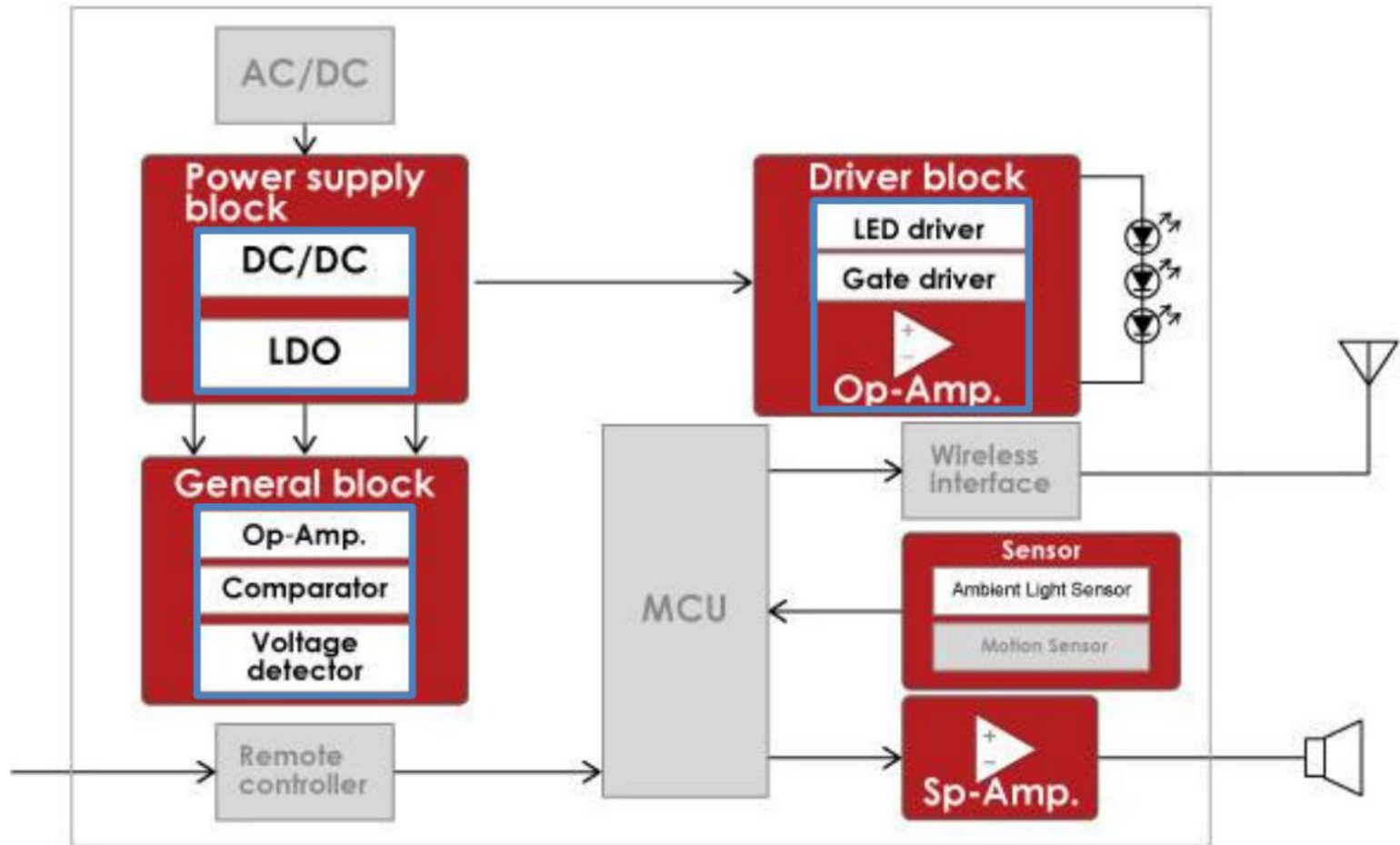


Lighting Equipment - Block Diagram



Lighting Equipment - Parts

Buck Switching Regulator – Internal FET

MCHP parts	Vin/Vout	Fsw/Iq	Iout
MCP16311	4.4 ~ 30 V / 2 ~ 24 V	500 kHz / 85 μ A(PFM)	1 A
MCP16301H	4.7 ~ 36 V / 2 ~ 15 V	500 kHz / 2 mA	0.6 A
MIC28513	4.6 ~ 45 V / 0.8 ~ 24 V	680 kHz / 0.7 mA	4 A

Linear Regulator

MCHP parts	Vin	Vout	Iout
MIC5233	2.3 ~ 36 V	5V, 3.3V, 3V, 2.5V, 1.8V, Adj.	100 mA
MIC5318	2.3 ~ 6 V	3.3V, 2.8V, 2.5V 1.8V, 1.5V Adj.	300 mA

Lighting Equipment - Parts

OP-AMP

MCHP parts	V _{in}	GBWP	V _{os}
MCP6231 MIC861	1.8 ~ 6 V 2.43 ~ 5.25 V	300 kHz 400 kHz	5 mV 2 mV
MCP6V01	1.8 ~ 5.5 V	1.3 MHz	2 μV
MCP6V51 MCP6V81	4.5 ~ 45 V 2.2 ~ 5.5V	2 MHz 5 MHz	15 μV 9 μV
MCP6271	2 ~ 6 V	2 MHz	3 mV

Comparator

MCHP parts	V _{in}	Type	Prop. Delay	V _{os}
MCP6561	1.8 ~ 5.5 V	Push-Pull	56 ns	3 mV
MCP6566	1.8 ~ 5.5 V	Open-Drain	56 ns	3 mV

Lighting Equipment - Parts

Voltage Detector

MCHP parts	Vin	Type	Output
MCP111	1.9 ~ 4.63 V	Open-Drain	Active Low
MCP112	1.9 ~ 4.63 V	Push-Pull	Active Low

Gate Driver

MCHP parts	Vin	Output	Tr/Tf	Prop. Delay
MIC4120	4.5 ~ 20 V	Single	12/13 ns	50 ns
MIC4127	4.5 ~ 20 V	Dual	20/18 ns	45 ns

LED Driver

MCHP parts	Vin	Topology	Dimming
MIC3202	6 ~ 37 V	Buck	PWM