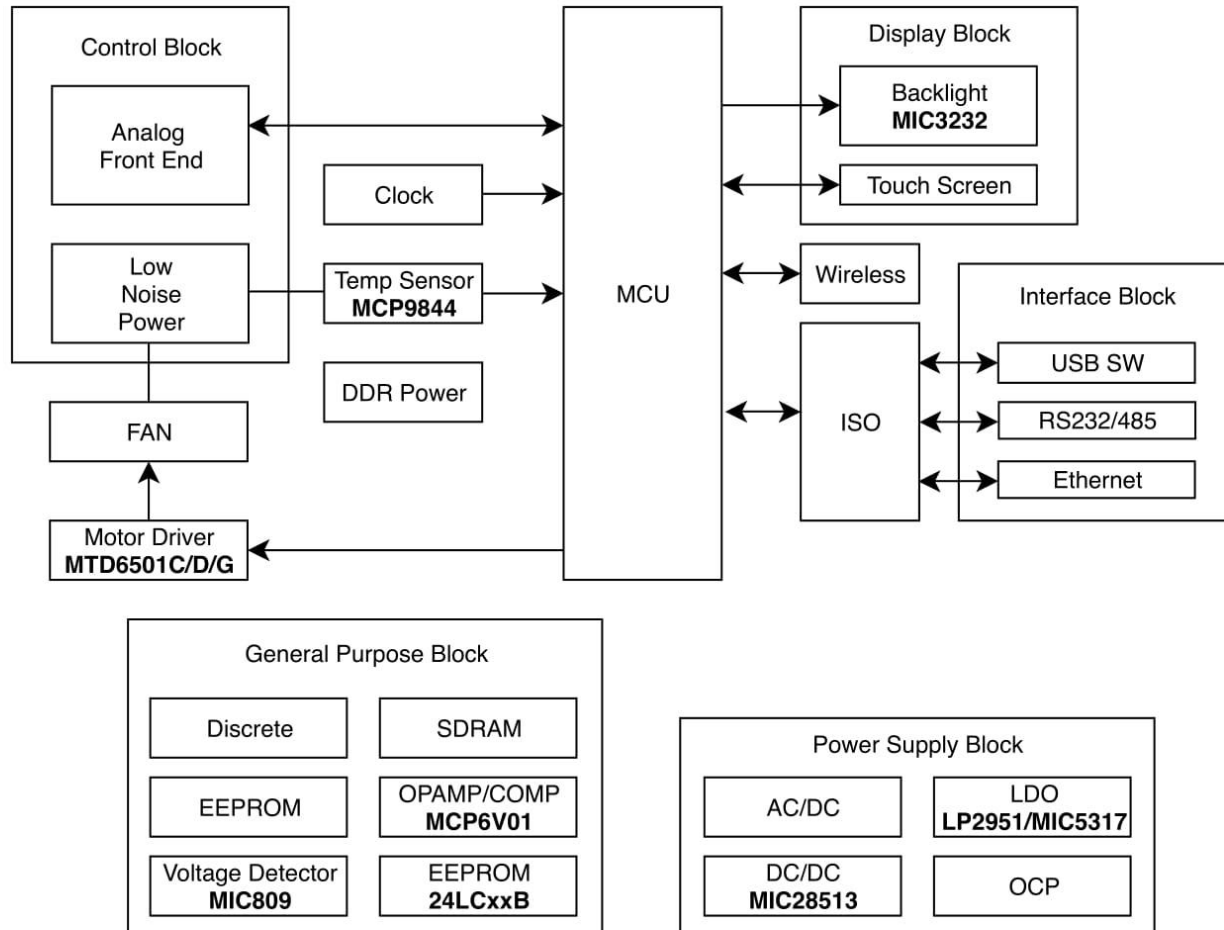


ECG(Electrocardiography) Block Diagram



ECG(Electrocardiography) - Parts

Temperature Sensor

Product Name	Description	Features
MCP9844	±1°C Accurate, 1.8V Digital Temperature Sensor	<ul style="list-style-type: none"> - 1MHz, 2-wire I2C™ Interface - Specified VDD Range: 1.7V to 3.6V - Operating Current: 100 µA - Available Package: TDFN-8 - Temperature Accuracy: - ±0.2°C/±1°C (typ./max.) +75°C to +95°C- ±0.5°C/±2°C (typ./max.) +40°C to +125°C- ±1°C/±3°C (typ./max.) -20°C to +125°C

Motor Driver

Product Name	Description	Features
MTD6501C	12v, 3-phase full-wave drivers for brushless sensorless dc motors.	<ul style="list-style-type: none"> - Position sensorless BLDC drivers (no Hall sensor required) - 180° sinusoidal drive, for high efficiency and low acoustic noise - Support 2V to 14V power supplies - Speed control through PAM and/or PWM - Built-in frequency generator - Built-in lockup protection and automatic recovery circuit (external capacitor not

LED Driver(Backlight Controller)

Product Name	Description	Features
MIC3232	400kHz Fixed Frequency Boost Driver Controller for High Power LEDs	<ul style="list-style-type: none"> - 6 to 45V input supply range - Capable of driving up to 70W - Ultra-low EMI via dithering on the MIC3231 - Programmable LED drive current - Feedback voltage = 250mV ±3% - 400kHz fixed frequency operation (MIC3232)

ECG(Electrocardiography) - Parts

OPAMP

Product Name	Description	Features
MCP6V01	300 μ A, Auto-Zeroed Op Amps	<ul style="list-style-type: none">- VOS Drift: ± 50 nV/$^{\circ}$C (maximum)- VOS: ± 2 μV (maximum)- AOL: 130 dB (minimum)- PSRR: 130 dB (minimum)- CMRR: 130 dB (minimum)- Eni: 2.5 μVP-P (typical), f = 0.1 Hz to 10 Hz

Supervisor & Voltage Detectors

Product Name	Description	Features
MCP6V01	3-Pin Microprocessor Reset Circuit with Push-Pull Active-Low Output, 2.93 Vthresh	<ul style="list-style-type: none">- Precision voltage monitor for 3V, 3.3V or 5V power supplies- /RESET remains valid with VCC as low as 1.4V for SOT-23 packaged part- /RESET remains valid with VCC as low as 1V for SC-70 packaged part- Typically less than 15μA supply current for SOT-23 packaged part- 5μ typical supply current for SC-70 packaged part- 140ms minimum reset pulse widths available

EEPROM

Product Name	Description	Features
24CxxB	I2C compatible 2-wire Serial EEPROM	<ul style="list-style-type: none">- Single supply with operation down to 2.5V- Low-power CMOS technology- 2-wire serial interface, I2CTM compatible- Schmitt Trigger inputs for noise suppression- Output slope control to eliminate ground bounce- 100 kHz and 400 kHz clock compatibility

ECG(Electrocardiography) - Parts

LDO

Product Name	Description	Features
LP2951	Low Dropout Regulator	<ul style="list-style-type: none">- High accuracy 5V, guaranteed 100 mA output- Extremely low quiescent current- Low-dropout voltage- Extremely tight load and line regulation- Very low temperature coefficient- Use as regulator or reference
MIC5317	Single, High Performance 150mA LDO	<ul style="list-style-type: none">- Tiny 1mm x 1mm Thin DFN, SOT23-5 and TSOT23-5 packages- Wide 2.5V to 6V operating range- 150mA guaranteed output current- Stable with 1μF ceramic output capacitors- Low dropout voltage: 155mV @ 150mA- Excellent load/line transient response

Buck Converter

Product Name	Description	Features
MIC28513	45V/4A Synchronous Buck Regulator w/Hyper Light Load™	<ul style="list-style-type: none">- 4.6V to 45V operating input voltage supply- Up to 4A output current- Integrated high-side and low-side N-channel MOSFETs- HyperLight Load® (MIC28513-1) and Hyper Speed Control™ (MIC28513-2) architecture- Enable input, power good (PGOOD) output- Programmable current limit and foldback "hiccup" mode short circuit protection