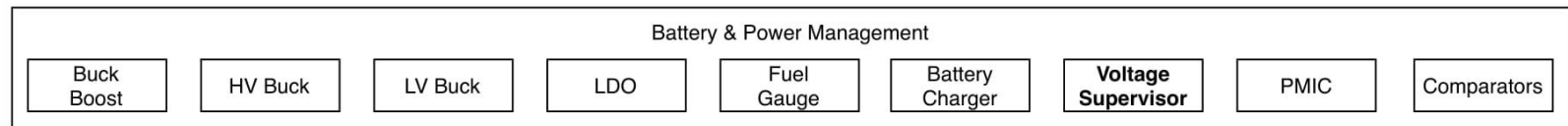
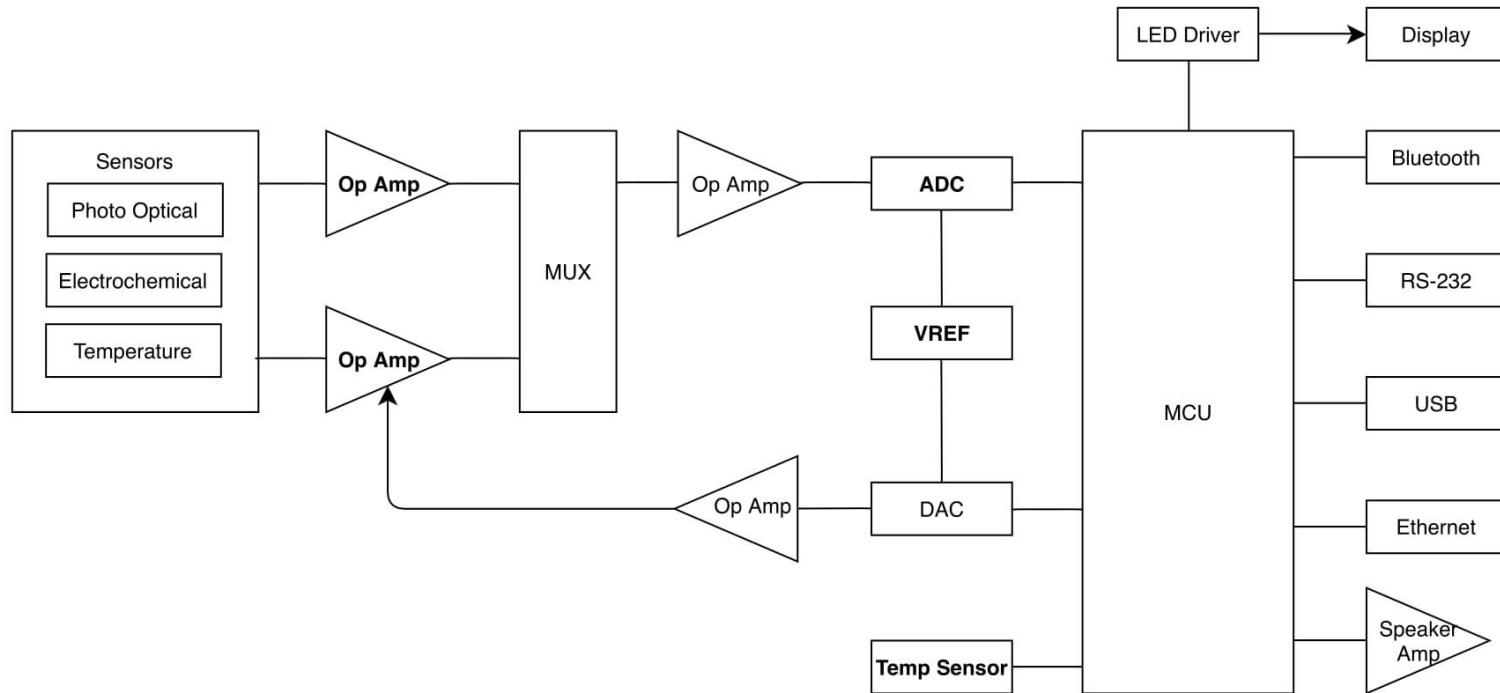


Blood Analyzer Instruments - Block Diagram



Blood Analyzer Instruments - Parts

Op-Amp

Product Name	Description	Features
MCP6V91/2/4	10 MHz, Zero-Drift Op Amps	Zero-Drift OpAmp GBWP: 10MHz Vos: 9uV
MCP6021/23 MCP6022 MCP6024	Rail-to-Rail Input/Output, 10 MHz Op Amps	Precision OpAmp GBWP: 10MHz Vos: 250uV

Delta-Sigma ADC

Product Name	Description	Features
MCP3426/ 7	16-Bit, Multi-Channel $\Delta\Sigma$ Analog-to-Digital Converter with I2C Interface and On-Board Reference	16-Bit, 2-Channel I2C interface

Voltage Supervisor

Product Name	Description	Features
MCP1318	Voltage Supervisor, Push-Pull, Active Low	Active Low/High or High/Low Dual Output OpenDrain and/or PushPull

Temperature Sensor

Product Name	Description	Features
MCP9700A	Low-Power Linear Active Thermistor ICs	Voltage-Output Accuracy : 1°C Operating 2.3 ~ 5.5V

Voltage Reference

Product Name	Description	Features
MCP1501	High-Precision Buffered Voltage Reference	Initial Accuracy : max 0.1%